

Conventional Flameproof (Exd) UV/IR² Flame Detector



Technical Data

All data is supplied subject to change without notice. Specifications are typical at 24V, 25°C and 50% RH unless otherwise stated.

Supply voltage	14 - 28 V dc
Quiescent current	2.2 mA
Maximum power-up time	2 seconds
Remote LED current	Limited to 2 mA
Range of view	0.1 m ² n-heptane at 25 m 0.2 m ² n-heptane at 35 m 0.4 m ² n-heptane at 45 m
Field of view	90° cone
Spectral response	IR 0.9 to 1.7 μm UV 185 to 260 nm
Sensitivity (EN 54-10)	High - Class 1 Low - Class 3
Operating temperature	-10°C to +55°C
Storage temperature	-20°C to +65°C
Humidity (no condensing or icing)	0% to 95% RH
IP rating	IP66
Use	Indoor use only
Standards and approvals	EN 54-10, LPCB, CCS, IECEx, ATEX
BASEEFA Certificate No.	Baseefa08ATEX0270
Dimensions	150 mm diameter. x 137 mm deep
Weight	2.5 kg
Materials	Copper-free aluminium alloy LM25
Housing colour	Red
Cable gland entries	3 x 20 mm

Product overview

Product Flameproof (Exd) UV/IR² Flame Detector

Part No. 55000-065

Approvals

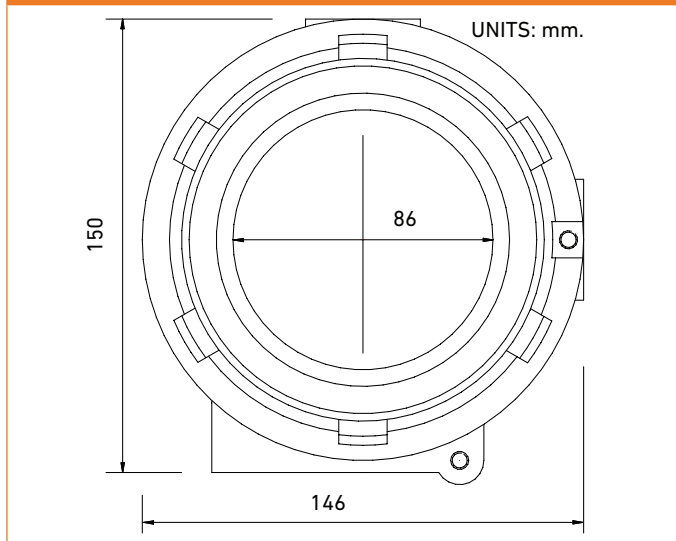


Product information

The Flameproof (Exd) UV/IR² Flame Detector is designed for hazardous environments in either indoor or outdoor applications where open fires may be expected. False alarms from flickering sunlight, arc welding or lightning are avoided by the combination of UV and dual IR signal processing techniques. It detects almost all flames including those invisible to the naked eye, e.g. hydrogen fires.. Certified by ISSOP for compliance with standards EN50014, EN50018 and EN50281.

- ATEX certified: II 2 G D
- CENELEC/IEC certified: EEX d - IIC T4 - (Zones 1, 21, 2 and 22)
- Class 1 sensitivity to EN54-10 detects 0.12m² fire at 25 m
- Highest optical interference immunity
- Selectable output options: Conventional two-wire, 4 - 20 mA, Relay Contacts - Fire/fault, pre-alarm, latching or non-latching
- Selectable response speed
- Remote optical self-test function
- Low power consumption

Dimensional drawing



36 Brookside Road, Havant | Tel: +44 (0)23 9249 2412 | Email: sales@apollo-fire.com
Hampshire, PO9 1JR, UK. | Fax: +44 (0)23 9249 2754 | Web: www.apollo-fire.co.uk



A HALMA COMPANY
© Apollo Fire Detectors Limited 2017



This page has intentionally been left blank