

Intelligent Stainless Steel IR³ Flame Detector



Technical Data

All data is supplied subject to change without notice. Specifications are typical at 24V, 23°C and 50% RH unless otherwise stated.

<i>Supply voltage</i>	17 - 35 V dc
<i>Digital communication</i>	XP95, Discovery and CoreProtocol compatible
<i>Quiescent current</i>	2.2 mA
<i>Maximum power-up time</i>	4 seconds
<i>Remote LED current</i>	Limited to 2 mA
<i>Range of view (EN 54-10)</i>	0.1 m ² n-heptane at 25 m 0.2 m ² n-heptane at 35 m 0.4 m ² n-heptane at 45 m
<i>Field of view</i>	90° cone
<i>Spectral response</i>	1.0 to 2.7 μm
<i>Sensitivity (EN 54-10)</i>	High - Class 1 Low - Class 3
<i>Operating temperature</i>	-10°C to +55°C
<i>Storage temperature</i>	-20°C to +65°C
<i>Humidity (no condensing or icing)</i>	0% to 95% RH
<i>IP rating</i>	IP65
<i>Standards and approvals</i>	EN54-10, CPR, LPCB, MED and ABS
<i>Dimensions</i>	108 mm wide x 142 mm high x 82 mm depth
<i>Weight</i>	2.1 kg
<i>Materials</i>	316 Grade Stainless Steel

Product overview

Product	Stainless Steel Intelligent IR³ Flame Detector
Part No.	55000-034MAR
Digital communication	XP95, Discovery and CoreProtocol® compatible

Approvals



Product information

The Stainless Steel Intelligent IR³ Flame Detector is designed to protect areas where open flaming fires may be expected.

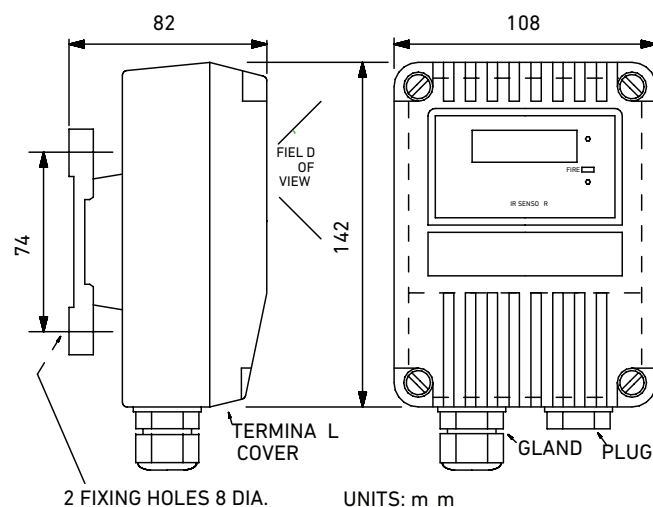
Operation

The Intelligent IR³ Flame Detector is sensitive to low-frequency, flickering infra-red (IR) radiation emitted by flames during combustion. Since it responds to flickering radiation the IR³ Flame Detector can operate even if the lens is contaminated by a layer of oil, dust, water-vapour or ice.

The Intelligent IR³ Flame Detector is set to respond to low-frequency radiation at 1 to 15 Hz (1 to 2.7 μm) in order to detect all flickering flames including those invisible to the naked eye, e.g. those emitted by hydrogen fires.

This detector has a heavy duty, stainless steel housing which is highly resistant to corrosion. The housing has been electro-polished to give a natural silver finish and has no need to be painted, making it ideal for marine applications.

Dimensional drawing



36 Brookside Road, Havant | Tel: +44 (0)23 9249 2412 | Email: sales@apollo-fire.com
Hampshire, PO9 1JR, UK. | Fax: +44 (0)23 9249 2754 | Web: www.apollo-fire.co.uk



A HALMA COMPANY

© Apollo Fire Detectors Limited 2017

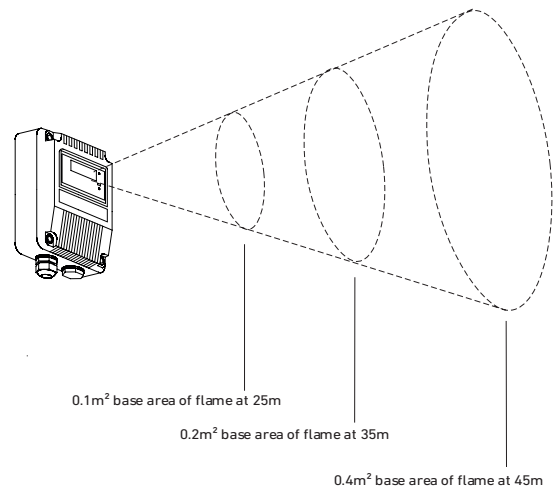


The Intelligent IR³ Flame Detector has three IR sensors that respond to different IR wavelengths in order to discriminate between flames and spurious sources of radiation. False alarms due to such factors as flickering lighting are avoided by a combination of filters and signal processing techniques.

Electrical description

The Intelligent IR³ Flame Detector is loop powered and needs no external supply. A remote LED alarm indicator may be connected to the flame detector.

Flame detection as a function of flame size and distance from detector



Range of view of a flame detector

