

Troubleshooting

Problem	Possible Cause
No response or missing	Incorrect address setting Incorrect loop wiring (polarity reversed)
Device fails to operate	Control panel has incorrect cause and effect programming



Discovery® Open Area Sounder Beacon Installation Guide

General

This guide refers to the products in the table below.

Part Number	Product Name
58000-011	Discovery Open Area Sounder Beacon (Red Lens)
58000-012	Discovery Open Area Sounder Beacon (Clear Lens)

Important Note

The Discovery Open Area Sounder Beacon requires compatible control panel software to operate. Please check with the panel manufacturer for compatibility before installation.

Function

The Open Area Sounder is provided in IP65 rated housing. It has up to 15 tone pairs, 7 volume settings, independent control of sounder and fast turn-on functions. The configuration of the sounder is set by the control panel. Please refer to the panel literature for details.

Installation

1. Drill out the cable entries as required on the base, taking care not to damage the electronics. Do not attempt to knock these out as the base could be damaged.
2. Secure the base to the mounting surface with pan head screws. If IP65 integrity is required, fit the weatherproof mounting pad between the base and the mounting surface. Fit the 'O' ring to the base (Fig. 1) using a lubricant such as silicone grease.
3. Set the sounder address using the table overleaf.
4. To lock the sounder in the base, snip the break-out on the base rim . Fit the sounder to the base.

©Apollo Fire Detectors Ltd 2017

Apollo America Inc., 25 Corporate Drive, Auburn Hills, Michigan, 48326, USA
Tel: (248) 332-3900 Fax: (248) 692-0888
Email: info.us@apollo-fire.com Website: www.apollo-fire.com

In the UK: Apollo Fire Detectors Ltd, 36 Brookside Road, Havant, Hants, PO9 1JR, UK
Tel +44 (0)23 9249 2412 Fax +44 (0)23 9249 2754
Email: techsales@apollo-fire.com Website: www.apollo-fire.co.uk

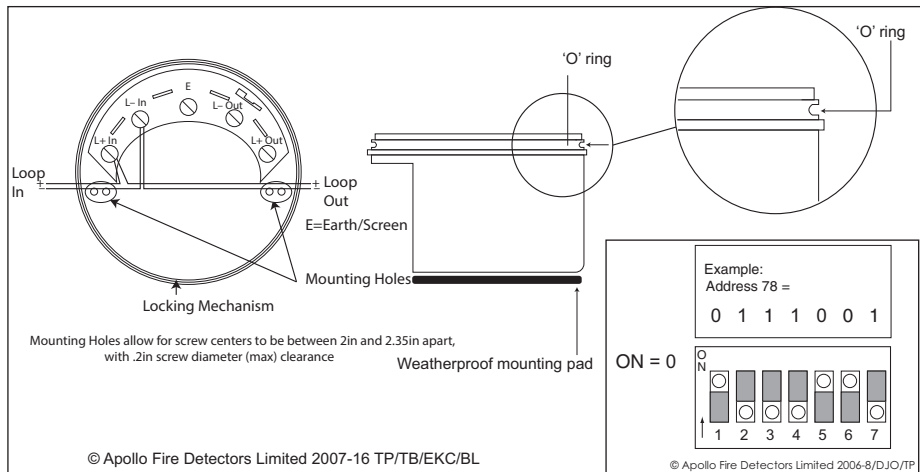


Fig. 1 - Wiring diagram

Fig. 2 - Example of Address

Individual Address Setting

The address of the open area sounder beacon is set using segments 1-7 of the DIL switch. Each switch is set to "0" (ON) or "1", using a small screwdriver or similar tool. A complete list of address settings is shown below.

DIL switch setting	DIL switch setting	DIL switch setting	DIL switch setting	DIL switch setting	DIL switch setting
addr 1234567	addr 1234567	addr 1234567	addr 1234567	addr 1234567	addr 1234567
1 1000000	11 1101000	21 1010100	31 1111100	41 1001010	
2 0100000	12 0011000	22 0110100	32 0000010	42 0101010	
3 1100000	13 1011000	23 1110100	33 1000010	43 1101010	
4 0010000	14 0111000	24 0001100	34 0100010	44 0011010	
5 1010000	15 1111000	25 1001100	35 1100010	45 1011010	
6 0110000	16 0000100	26 0101100	36 0010010	46 0111010	
7 1110000	17 1000100	27 1101100	37 1010010	47 1111010	
8 0001000	18 0100100	28 0011100	38 0110010	48 0000110	
9 1001000	19 1100100	29 1011100	39 1110010	49 1000110	
10 0101000	20 0010100	30 0111100	40 0001010	50 0100110	
51 1100110	61 1011110	71 1110001	81 1000101	91 1101101	
52 0010110	62 0111110	72 0001001	82 0100101	92 0011101	
53 1010110	63 1111110	73 1001001	83 1001001	93 1101101	
54 0110110	64 0000001	74 0101001	84 0010101	94 0111101	
55 1110110	65 1000001	75 1101001	85 1010101	95 1111101	
56 0001110	66 0100001	76 0011001	86 0011001	96 0000011	
57 1001110	67 1100001	77 1011001	87 1110101	97 1000011	
58 0101110	68 0010001	78 0111001	88 0001101	98 0100011	
59 1101110	69 1010001	79 1111001	89 1001101	99 1100011	
60 0011110	70 0110001	80 0000101	90 0101101	100 0010011	
101 1010011	106 0101011	111 1111011	116 0010111	121 1001111	
102 0110011	107 1101011	112 0000111	117 1010111	122 0101111	
103 1110011	108 0011011	113 1000111	118 0110111	123 1101111	
104 0001011	109 1011011	114 0100111	119 1110111	124 0011111	
105 1001011	110 0111011	115 1100111	120 0001111	125 1011111	
				126 0111111	

Commissioning

It is important that the device be fully tested in accordance with chapters 14 and 18 of the 2010 edition of the NFPA 72 after installation. Many fault conditions are the result of simple wiring errors.

Setup and Test Mode

These modes allow volume adjustment and functional testing locally. No volume adjustment is possible in test mode.

The required mode is entered via the control panel and is confirmed by a red LED which flashes once a second on the sounder beacon. Sounder state is controlled by placing a magnet adjacent to the flashing LED. When all LEDs flash, withdraw the magnet. A suitable extendable magnetic wand is available, Part No. 29650-001.

In setup mode the volume can be adjusted by holding the magnet adjacent to the flashing LED and removing it at the desired volume level. If min or max volume is reached, the LEDs stop flashing. To alter the direction of adjustment, remove the magnet for one second and re-apply. Saving the volume setting is performed at the control panel.

Please check with panel manufacturer for compatibility of the above setup/test modes.

Technical Data, Sounder

Operating Voltage	17-28V dc*
* Special application per UL 464. Requires a Compatible Control Unit for Proper Operation	
Switch on Surge	<2.6 mA for 1 s
Normal Standby	<750µA
Sounder Operating	Variable
IP Rating	65
	No condensation or icing

IP Rating

To maintain the integrity of the enclosure, it is essential that suitable IP rated cable glands be used, along with the 'O' ring provided and the weatherproof mounting pad.

Alarm Current Measurements (mA)

Tone Pair 1	Alert	Evac
Level 1	2.845	1.582
Level 2	3.507	3.881
Level 3	3.538	3.972
Level 4	3.652	4.198
Level 5	4.075	4.682
Level 6	4.942	5.733
Level 7	7.624	8.378

Analogue Values

Analogue Value	Status	Analogue Value	Status
0	Flash Memory Fail	17	Sounder Volume 1
1	Sounder Fail	18	Sounder Volume 2
2	Beacon Fail	19	Sounder Volume 3
3	Sounder and Beacon Fail	20	Sounder Volume 4
4	General Fault	21	Sounder Volume 5
		22	Sounder Volume 6
		23	Sounder Volume 7