

# XP95 I.S. MEDC Manual Call Point



### Technical data

All data is supplied subject to change without notice. Specifications are typical at 24 V, 23°C and 50% RH unless otherwise stated.

<b>Supply Wiring</b>	Two wire supply, polarity sensitive
<b>Terminal functions</b>	L1 Positive supply L2 Negative supply
<b>Supply voltage</b>	14 V - 22 V dc
<b>Quiescent current</b>	300 µA
<b>Alarm LED on</b>	1.3 mA
<b>Operating temperature (ambient)</b>	-20°C to 70°C -20°C to 45°C (T5) -20°C to 60°C (T4)
<b>IP rating</b>	IP66
<b>Standards and Approvals</b>	EN54-11, ATEX, IECEx
<b>BASEEFA Certificate No.</b>	BAS02ATEX1290X
<b>Certified to</b>	ATEX Directive 2014/34/EU
<b>Classification</b>	E Ex ia IIC T5 (T4 at Ta ≤ 60°C)
<b>Dimensions</b>	120 mm x 126 mm x 67 mm
<b>Weight</b>	240g
<b>Materials</b>	Body - glass-reinforced polyester

### Product overview

<b>Product</b>	XP95 I.S. MEDC Manual Call Point - Break Glass
<b>Part No.</b>	55000-960 Red 55000-962 Yellow 55000-964 Blue 55000-966 Black/Yellow stripes
<b>Product</b>	XP95 I.S. MEDC Manual Call Point - Break Glass with flap
<b>Part No.</b>	55000-961 Red 55000-963 Yellow* 55000-965 Blue* 55000-967 Black/Yellow stripes
<b>Product</b>	XP95 I.S. MEDC Manual Call Point - Push Button
<b>Part No.</b>	55000-970 Red

*Note: Parts marked \* do not have CPD or LPCB approval and do not comply to EN54-11.*

### Product information

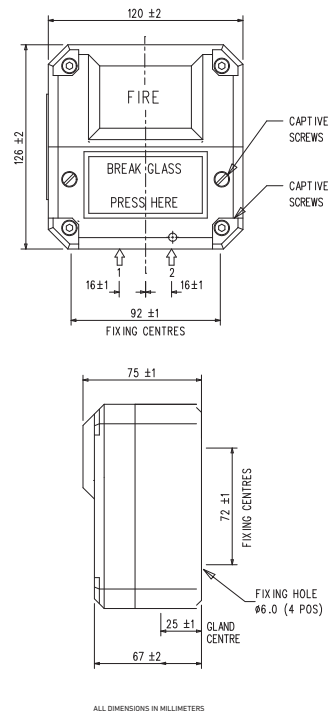


### Product information

The XP95 Intrinsically Safe (I.S.) MEDC Manual Call Point (MCP) is for use in heavy duty applications. It is made from glass-reinforced polyester. Break glass models can be supplied with or without a stainless steel protective flap.

The XP95 I.S. MEDC MCP break glass model has two M20 cable entries on the bottom face of the back box.

### XP95 I.S. MEDC MCP dimensional drawing



This page has intentionally been left blank