

XP95

I.S. MEDC Manual Call Point



Technical data

All data is supplied subject to change without notice. Specifications are typical at 24 V, 23°C and 50% RH unless otherwise stated.

Supply Wiring	Two wire supply, polarity sensitive
Terminal functions	L1 Positive supply L2 Negative supply
Supply voltage	14 V - 22 V dc
Digital communication	XP95 and Discovery compatible
Quiescent current	300 µA
Alarm LED on	1.3 mA
Operating temperature (ambient)	-20°C to 70°C -20°C to 45°C (T5) -20°C to 60°C (T4)
IP rating	IP66
Standards and Approvals	EN 54-11, IEC61508-1,2 and BS EN60079-0,11
BASEEFA Certificate No.	BAS02ATEX1290X
Certified to	ATEX Directive 2014/34/EU
Classification	E Ex ia IIC T5 (T4 at Ta ≤ 60°C)
Dimensions	120 mm x 126 mm x 67 mm
Weight	240g
Materials	Body - glass-reinforced polyester

Product overview

Product	XP95 I.S. MEDC Manual Call Point - Break Glass
Part No.	55000-960SIL - Red 55000-962SIL -Yellow* 55000-964SIL - Blue* 55000-966SIL - Black/Yellow stripes*
Product	XP95 I.S. MEDC Manual Call Point - Break Glass with flap
Part No.	55000-961SIL - Red 55000-963 SIL - Yellow* 55000-965SIL - Blue* 55000-967SIL - Black/Yellow stripes*
Product	XP95 I.S. MEDC Manual Call Point - Push Button
Part No.	55000-970SIL - Red
Digital Communication	XP95 and Discovery compatible
<i>Note: Part No's marked * are not EN54-11, LPCB or CPD approved</i>	

Approvals

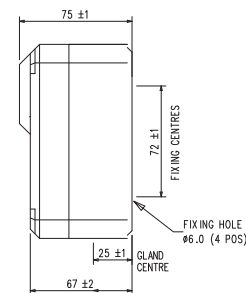
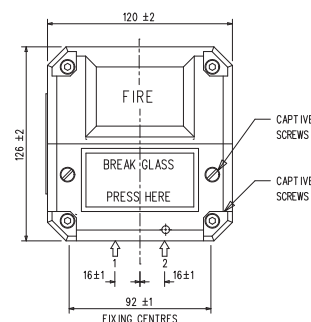


Product information

The XP95 Intrinsically Safe (I.S.) MEDC Manual Call Point (MCP) is for use in heavy duty applications. It is made from glass-reinforced polyester. Break glass models can be supplied with or without a stainless steel protective flap.

The XP95 I.S. MEDC MCP break glass model has two M20 cable entries on the bottom face of the back box.

XP95 I.S. MEDC MCP dimensional drawing



ALL DIMENSIONS IN MILLIMETERS

36 Brookside Road, Havant | Tel: +44 (0)23 9249 2412 | Email: sales@apollo-fire.com
Hampshire, PO9 1JR, UK. | Fax: +44 (0)23 9249 2754 | Web: www.apollo-fire.co.uk



A HALMA COMPANY
© Apollo Fire Detectors Limited 2017



EMC Directive 2014/30/EU

The XP95 I.S MEDC Manual Call Point complies with the essential requirements of the EMC Directive 2014/30/EU, provided that it is used as described in this data sheet.

A copy of the Declaration of Conformity is available from Apollo upon request.

Construction Products Regulation 305/2011/EU

The XP95 I.S. MEDC Manual Call Point complies with the essential requirements of the Construction Products Regulation 305/2011/EU.

A copy of the Declaration of Performance is available from Apollo upon request.

ATEX Directive 2014/34/EU

The XP95 I.S.MEDC Manual Call Point complies with the essential requirements of the ATEX Directive 2014/34/EU.